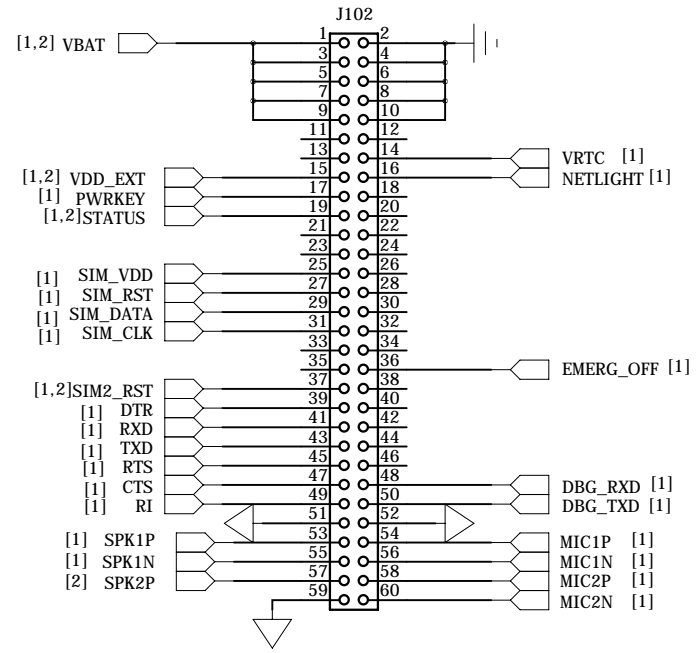
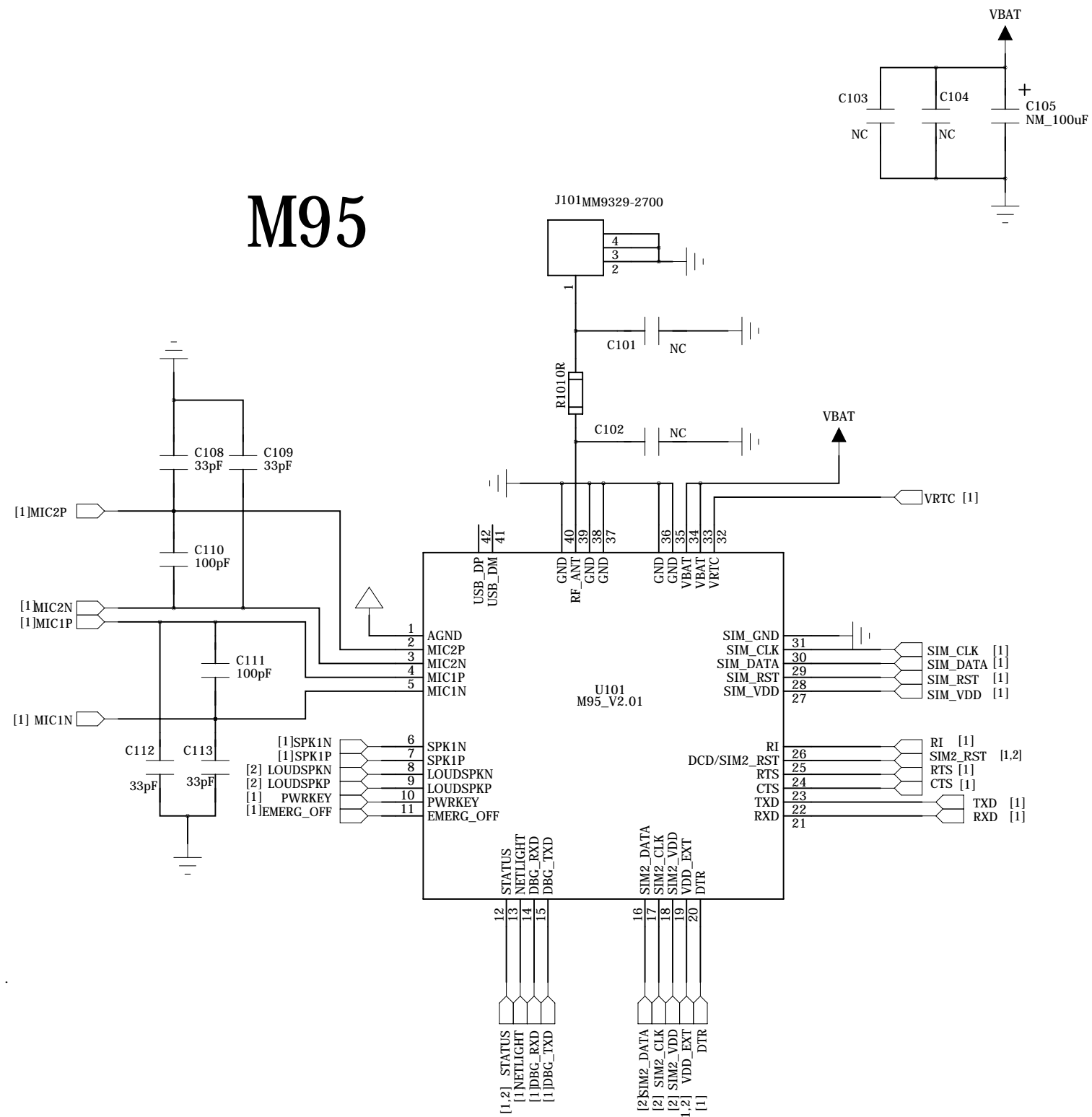


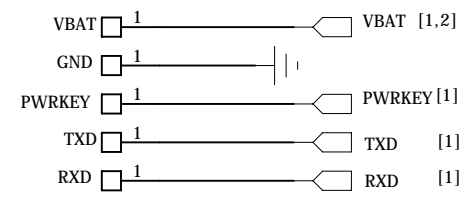
D

D

M95



TEST POINT



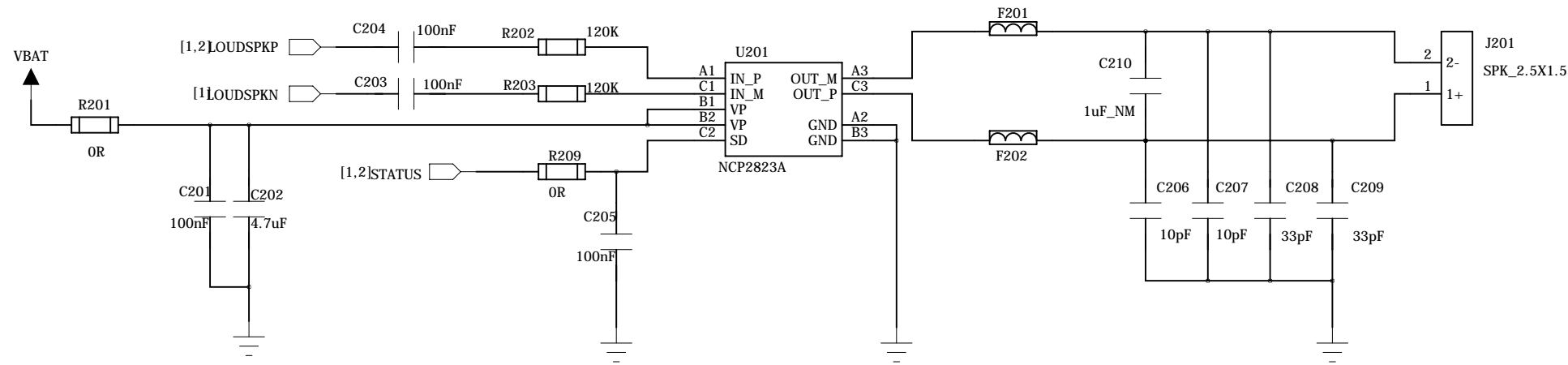
Test point for testing

Quectel Wireless Solutions		
DRAWN BY Luka	PROJECT M95-TE-A	TITLE Baseband
CHECKED BY	SIZE A3	VER V1.01
SHEET 1 of 1		2011.11.11

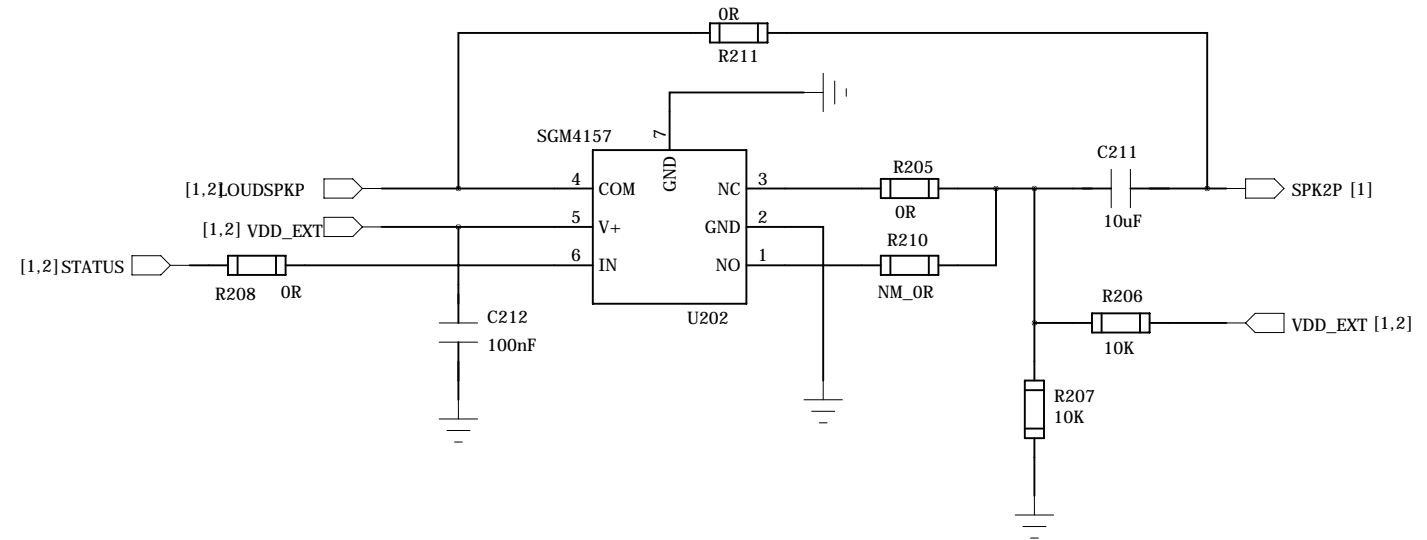
A

A

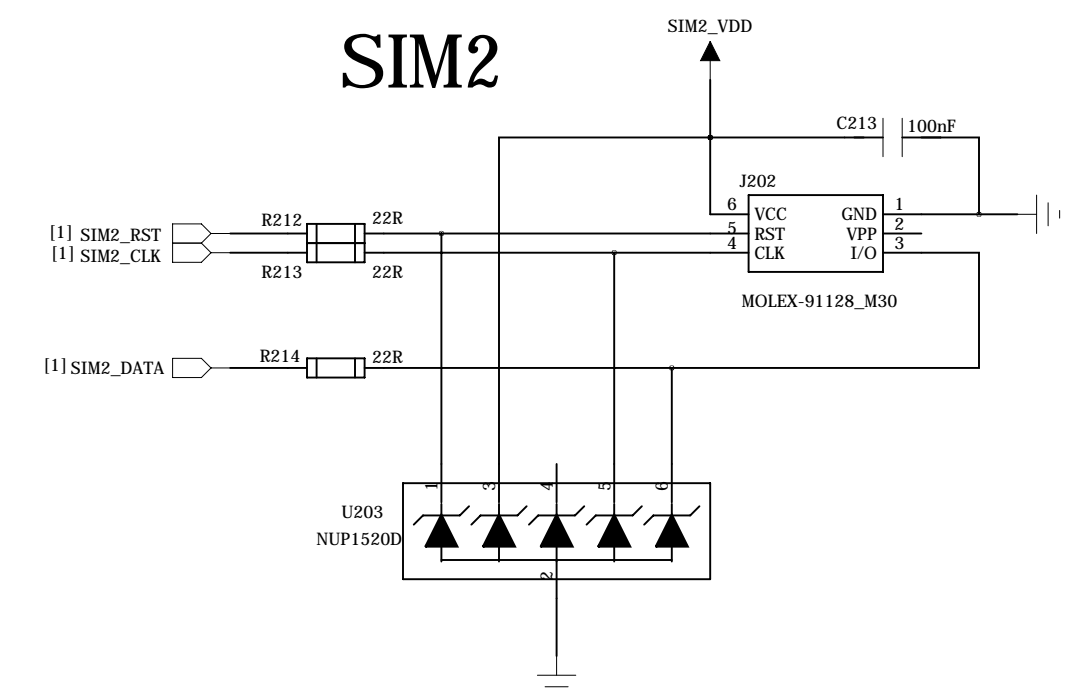
External Class-D speaker amplifier



ANALOG SWITCHED CHANNEL



SIM2



Quectel Technology		
DRAWN BY <NAME HERE>	PROJECT <MODULE NAME HERE>	TITLE <TITLE NAME HERE>
CHECKED BY <NAME HERE>	SIZE A3	VER <NO>
SHEET No of No		<DATE HERE>