

# Product Specification

Part Name : OEL Display Module  
Customer Part ID :  
WiseChip Part ID : VG-2832HSWEG04  
Doc No. : SAS1-0B097-A

Customer:

Approved by

**CONFIDENTIAL**

\* This product is only available for China market.

From: WiseChip Semiconductor Inc.

Approved by

## WiseChip Semiconductor Inc.

8, Kebei RD 2, Science Park, Chu-Nan, Taiwan 350, R.O.C.

### Notes:

1. Please contact WiseChip Semiconductor Inc. before assigning your product based on this module specification
2. The information contained herein is presented merely to indicate the characteristics and performance of our products. No responsibility is assumed by WiseChip Semiconductor Inc. for any intellectual property claims or other problems that may result from application based on the module described herein.



Revised History

| Part Number         | Revision | Revision Content | Revised on  |
|---------------------|----------|------------------|-------------|
| VG-2832HSWEG04      | A        | New              | May 4, 2015 |
| <b>CONFIDENTIAL</b> |          |                  |             |



Contents

Revision History... i
Contents... ii
1. Basic Specifications... 1~5
1.1 Display Specifications... 1
1.2 Mechanical Specifications... 1
1.3 Active Area / Memory Mapping & Pixel Construction... 1
1.4 Mechanical Drawing... 2
1.5 Pin Definition... 3
2. Absolute Maximum Ratings... 4
3. Optics & Electrical Characteristics... 5~7
3.1 Optics Characteristics... 5
3.2 DC Characteristics... 5
3.2.1 Vcc Supplied Externally... 5
3.2.2 Vcc Generated by Internal DC/DC Circuit... 6
3.3 AC Characteristics... 7
4. Functional Specification... 8~14
4.1 Commands... 8
4.2 Power down and Power up Sequence... 8
4.2.1 Power up Sequence... 8
4.2.2 Power down Sequence... 8
4.3 Reset Circuit... 8
4.4 Application Circuit... 9
4.4.1 Vcc Supplied Externally... 9
4.4.2 Vcc Generated by Internal DC/DC Circuit... 10
4.5 Actual Application Example... 11
4.5.1 Vcc Supplied Externally... 11
4.5.2 Vcc Generated by Internal DC/DC Circuit... 13
5. Reliability... 15
5.1 Contents of Reliability Tests... 15
5.2 Failure Check Standard... 15
6. Outgoing Quality Control Specifications... 16~19
6.1 Environment Required... 16
6.2 Sampling Plan... 16
6.3 Criteria & Acceptable Quality Level... 16
6.3.1 Cosmetic Check (Display Off) in Non-Active Area... 16
6.3.2 Cosmetic Check (Display Off) in Active Area... 18
6.3.3 Pattern Check (Display On) in Active Area... 19
7. Package Specifications... 20
8. Precautions When Using These OEL Display Modules... 21~23
8.1 Handling Precautions... 21
8.2 Storage Precautions... 21
8.3 Designing Precautions... 22
8.4 Precautions when disposing of the OEL display modules... 22
8.5 Other Precautions... 22
Warranty... 23
Notice... 23

CONFIDENTIAL

## 1. Basic Specifications

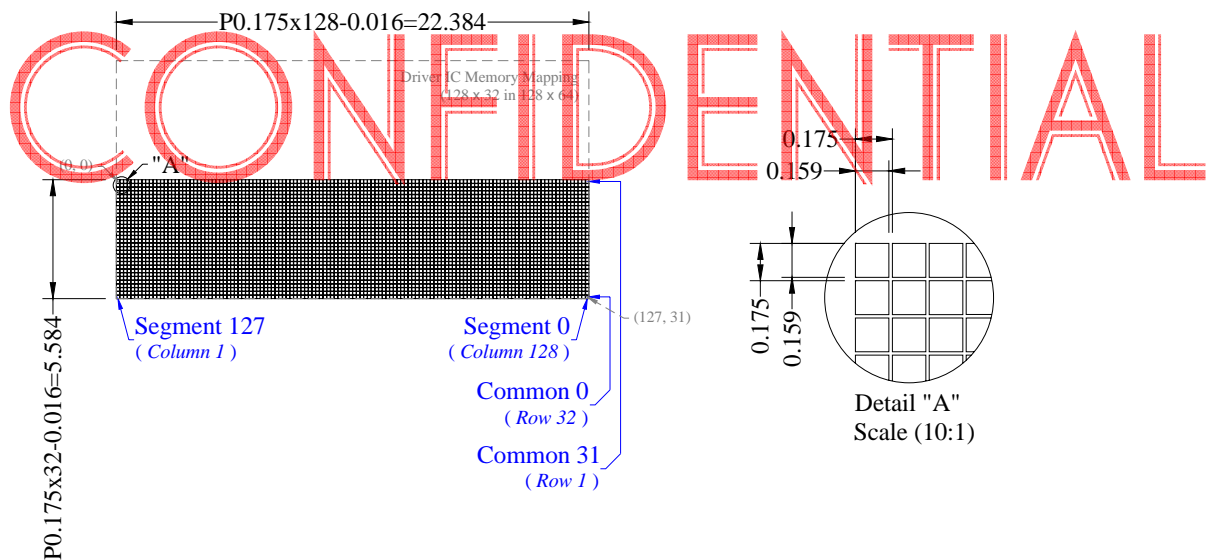
### 1.1 Display Specifications

- 1) Display Mode : Passive Matrix
- 2) Display Color : Monochrome (White)
- 3) Drive Duty : 1/32 Duty

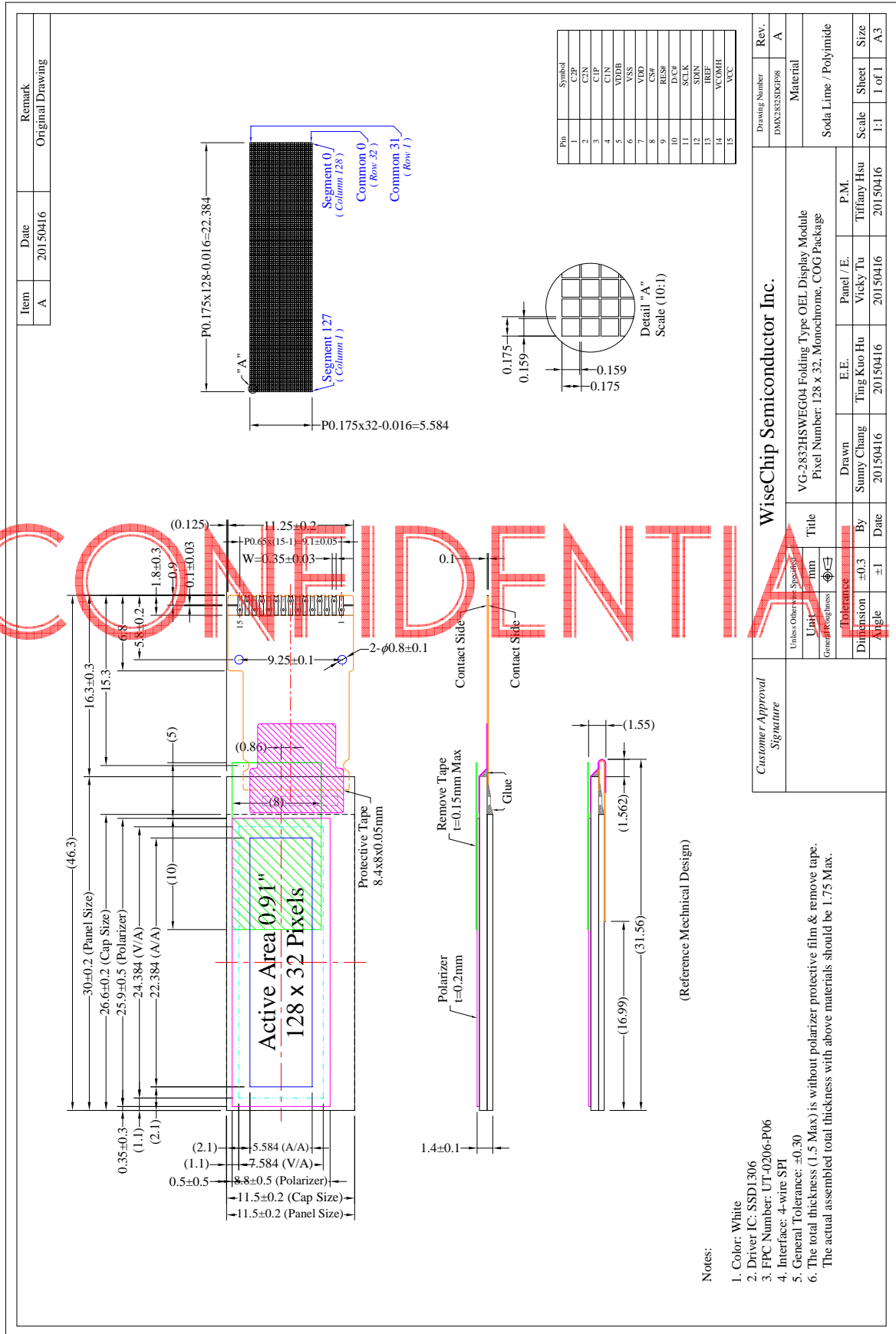
### 1.2 Mechanical Specifications

- 1) Outline Drawing : According to the annexed outline drawing
- 2) Number of Pixels : 128 × 32
- 3) Module Size : 46.30 × 11.50 × 1.40 (mm)
- 4) Panel Size : 30.00 × 11.50 × 1.40 (mm) including "Anti-Glare polarizer"
- 5) Active Area : 22.384 × 5.584 (mm)
- 6) Pixel Pitch : 0.175 × 0.175 (mm)
- 7) Pixel Size : 0.159 × 0.159 (mm)
- 8) Weight : 1.05 (g) ± 10%

### 1.3 Active Area / Memory Mapping & Pixel Construction



1.4 Mechanical Drawing



The drawing contained herein is the exclusive property of WiseChip. It is not allowed to copy, reproduce and or disclose in any formats without permission of WiseChip.

**1.5 Pin Definition**

| Pin Number             | Symbol                 | I/O | Function   |
|------------------------|------------------------|-----|--|
| <b>Power Supply</b>    |                        |     |  |
| 7                      | VDD                    | P   | <b>Power Supply for Logic</b><br>This is a voltage supply pin. It must be connected to external source.  |
| 6                      | VSS                    | P   | <b>Ground of OEL System</b><br>This is a ground pin. It also acts as a reference for the logic pins, the OEL driving voltages, and the analog circuits. It must be connected to external ground.   |
| 15                     | VCC                    | P   | <b>Power Supply for OEL Panel</b><br>This is the most positive voltage supply pin of the chip. A stabilization capacitor should be connected between this pin and V <sub>SS</sub> when the converter is used. It must be connected to external source when the converter is not used.  |
| <b>Driver</b>          |                        |     |  |
| 13                     | IREF                   | I   | <b>Current Reference for Brightness Adjustment</b><br>This pin is segment current reference pin. A resistor should be connected between this pin and V <sub>SS</sub> . Set the current at 12.5μA maximum.  |
| 14                     | VCOMH                  | O   | <b>Voltage Output High Level for COM Signal</b><br>This pin is the input pin for the voltage output high level for COM signals. A capacitor should be connected between this pin and V <sub>SS</sub> .   |
| <b>DC/DC Converter</b> |                        |     |  |
| 5                      | VDDB                   | P   | <b>Power Supply for DC/DC Converter Circuit</b><br>This is the power supply pin for the internal buffer of the DC/DC voltage converter. It must be connected to external source when the converter is used. It should be connected to V <sub>SS</sub> when the converter is not used.  |
| 3 / 4<br>1 / 2         | C1P / C1N<br>C2P / C2N | I   | <b>Positive Terminal of the Flying Inverting Capacitor</b><br><b>Negative Terminal of the Flying Boost Capacitor</b><br>The charge-pump capacitors are required between the terminals. They must be floated when the converter is not used.  |
| <b>Interface</b>       |                        |     |  |
| 9                      | RES#                   | I   | <b>Power Reset for Controller and Driver</b><br>This pin is reset signal input. When the pin is low, initialization of the chip is executed.   |
| 8                      | CS#                    | I   | <b>Chip Select</b><br>This pin is the chip select input. The chip is enabled for MCU communication only when CS# is pulled low.  |
| 10                     | D/C#                   | I   | <b>Data/Command Control</b><br>This pin is Data/Command control pin. When the pin is pulled high, the data at SDIN is treated as data. When it is pulled low, the data at SDIN will be transferred to the command register. For detail relationship to MCU interface signals, please refer to the Timing Characteristics Diagrams.                                 |
| 11                     | SCLK                   | I   | <b>Serial Clock Input Signal</b><br>The transmission of information in the bus is following a clock signal. Each transmission of data bit is taken place during a single clock period of this pin.   |
| 12                     | SDIN                   | I   | <b>Serial Data Input Signal</b><br>This pin acts as a communication channel. The input data through SDIN are latched at the rising edge of SCLK in the sequence of MSB first and converted to 8-bit parallel data and handled at the rising edge of last serial clock. SDIN is identified to display data or command by D/C# bit data at the rising of first SCLK. |

**2. Absolute Maximum Ratings**

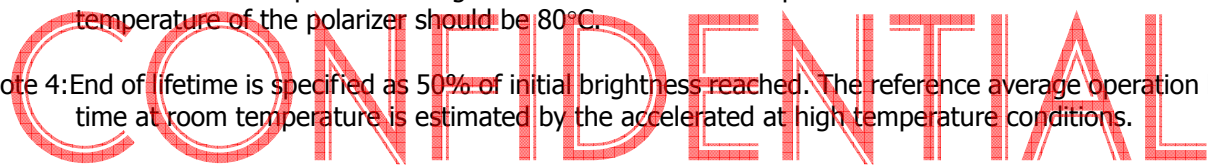
| Parameter                          | Symbol           | Min    | Max | Unit | Notes |
|------------------------------------|------------------|--------|-----|------|-------|
| Supply Voltage for Logic           | V <sub>DD</sub>  | -0.3   | 4   | V    | 1, 2  |
| Supply Voltage for Display         | V <sub>CC</sub>  | 0      | 11  | V    | 1, 2  |
| Supply Voltage for DC/DC           | V <sub>DDB</sub> | -0.3   | 5   | V    | 1, 2  |
| Operating Temperature              | T <sub>OP</sub>  | -40    | 70  | °C   |       |
| Storage Temperature                | T <sub>STG</sub> | -40    | 85  | °C   | 3     |
| Life Time (120 cd/m <sup>2</sup> ) |                  | 10,000 | -   | hour | 4     |

Note 1: All the above voltages are on the basis of "V<sub>SS</sub> = 0V".

Note 2: When this module is used beyond the above absolute maximum ratings, permanent breakage of the module may occur. Also, for normal operations, it is desirable to use this module under the conditions according to Section 3. "Optics & Electrical Characteristics". If this module is used beyond these conditions, malfunctioning of the module can occur and the reliability of the module may deteriorate.

Note 3: The defined temperature ranges do not include the polarizer. The maximum withstood temperature of the polarizer should be 80°C.

Note 4: End of lifetime is specified as 50% of initial brightness reached. The reference average operation life time at room temperature is estimated by the accelerated at high temperature conditions.



### 3. Optics & Electrical Characteristics

#### 3.1 Optics Characteristics

| Characteristics    | Symbol     | Conditions  | Min          | Typ          | Max          | Unit              |
|--------------------|------------|-------------|--------------|--------------|--------------|-------------------|
| Brightness         | $L_{br}$   | Note 8      | 120          | 150          | -            | cd/m <sup>2</sup> |
| C.I.E. (White)     | (x)<br>(y) | C.I.E. 1931 | 0.25<br>0.27 | 0.29<br>0.31 | 0.33<br>0.35 |                   |
| Dark Room Contrast | CR         |             | -            | >10,000:1    | -            |                   |
| Viewing Angle      |            |             | -            | Free         | -            | degree            |

\* Optical measurement taken at  $V_{DD} = 2.8V$ ,  $V_{CC} = 7.5V$ .  
Software configuration follows Section 4.5 Initialization.

#### 3.2 DC Characteristics

##### 3.2.1 $V_{CC}$ Supplied Externally

| Characteristics   | Symbol          | Conditions                         | Min                 | Typ | Max                 | Unit    |
|---|-----------------|------------------------------------|---------------------|-----|---------------------|---------|
| Supply Voltage for Logic  | $V_{DD}$        |                                    | 1.65                | 2.8 | 3.3                 | V       |
| Supply Voltage for Display<br>(Supplied Externally)               | $V_{CC}$        | Note 5<br>(Internal DC/DC Disable) | 7.0                 | 7.5 | 8.0                 | V       |
| High Level Input  | $V_{IH}$        |                                    | $0.8 \times V_{DD}$ | -   | $V_{DD}$            | V       |
| Low Level Input   | $V_{IL}$        |                                    | 0                   | -   | $0.2 \times V_{DD}$ | V       |
| High Level Output   | $V_{OH}$        | $I_{OUT} = 100\mu A$ , 3.3MHz      | $0.9 \times V_{DD}$ | -   | $V_{DD}$            | V       |
| Low Level Output  | $V_{OL}$        | $I_{OUT} = 100\mu A$ , 3.3MHz      | 0                   | -   | $0.1 \times V_{DD}$ | V       |
| Operating Current for $V_{DD}$                                    | $I_{DD}$        |                                    | -                   | 180 | 300                 | $\mu A$ |
| Operating Current for $V_{CC}$<br>( $V_{CC}$ Supplied Externally) | $I_{CC}$        | Note 6                             | -                   | 2.8 | 3.5                 | mA      |
|   |                 | Note 7                             | -                   | 4.4 | 5.5                 | mA      |
|   |                 | Note 8                             | -                   | 8.2 | 10.3                | mA      |
| Sleep Mode Current for $V_{DD}$                                   | $I_{DD, SLEEP}$ |                                    | -                   | 1   | 5                   | $\mu A$ |
| Sleep Mode Current for $V_{CC}$                                   | $I_{CC, SLEEP}$ |                                    | -                   | 2   | 10                  | $\mu A$ |

Note 5: Brightness ( $L_{br}$ ) and Supply Voltage for Display ( $V_{CC}$ ) are subject to the change of the panel characteristics and the customer's request.

Note 6:  $V_{DD} = 2.8V$ ,  $V_{CC} = 7.5V$ , 30% Display Area Turn on.

Note 7:  $V_{DD} = 2.8V$ ,  $V_{CC} = 7.5V$ , 50% Display Area Turn on.

Note 8:  $V_{DD} = 2.8V$ ,  $V_{CC} = 7.5V$ , 100% Display Area Turn on.

\* Software configuration follows Section 4.5.1 Initialization.



3.2.2  $V_{CC}$  Generated by Internal DC/DC Circuit

| Characteristics  | Symbol          | Conditions                        | Min                 | Typ  | Max                 | Unit    |
|--|-----------------|-----------------------------------|---------------------|------|---------------------|---------|
| Supply Voltage for Logic   | $V_{DD}$        |                                   | 1.65                | 2.8  | 3.3                 | V       |
| Supply Voltage for DC/DC   | $V_{DDB}$       | Internal DC/DC Enable             | 3.0                 | -    | 4.2                 | V       |
| Supply Voltage for Display<br>(Generated by Internal DC/DC)                | $V_{CC}$        | Note 9<br>(Internal DC/DC Enable) | 7.0                 | 7.5  | 8.0                 | V       |
| High Level Input   | $V_{IH}$        |                                   | $0.8 \times V_{DD}$ | -    | $V_{DD}$            | V       |
| Low Level Input  | $V_{IL}$        |                                   | 0                   | -    | $0.2 \times V_{DD}$ | V       |
| High Level Output  | $V_{OH}$        | $I_{OUT} = 100\mu A, 3.3MHz$      | $0.9 \times V_{DD}$ | -    | $V_{DD}$            | V       |
| Low Level Output   | $V_{OL}$        | $I_{OUT} = 100\mu A, 3.3MHz$      | 0                   | -    | $0.1 \times V_{DD}$ | V       |
| Operating Current for $V_{DD}$   | $I_{DD}$        |                                   | -                   | 180  | 300                 | $\mu A$ |
| Operating Current for $V_{DDB}$<br>( $V_{CC}$ Generated by Internal DC/DC) | $I_{DDB}$       | Note 10                           | -                   | 7.8  | 9.8                 | mA      |
|  |                 | Note 11                           | -                   | 12.2 | 15.3                | mA      |
|  |                 | Note 12                           | -                   | 22.1 | 27.6                | mA      |
| Sleep Mode Current for $V_{DD}$  | $I_{DD, SLEEP}$ |                                   | -                   | 1    | 5                   | $\mu A$ |
| Sleep Mode Current for $V_{CC}$  | $I_{CC, SLEEP}$ |                                   | -                   | 2    | 10                  | $\mu A$ |

Note 9: Brightness ( $L_{br}$ ) and Supply Voltage for Display ( $V_{CC}$ ) are subject to the change of the panel characteristics and the customer's request.

Note 10:  $V_{DD} = 2.8V, V_{DDB} = 3.5V, V_{CC}$  Generated by Internal DC/DC Circuit, 30% Display Area Turn on.

Note 11:  $V_{DD} = 2.8V, V_{DDB} = 3.5V, V_{CC}$  Generated by Internal DC/DC Circuit, 50% Display Area Turn on.

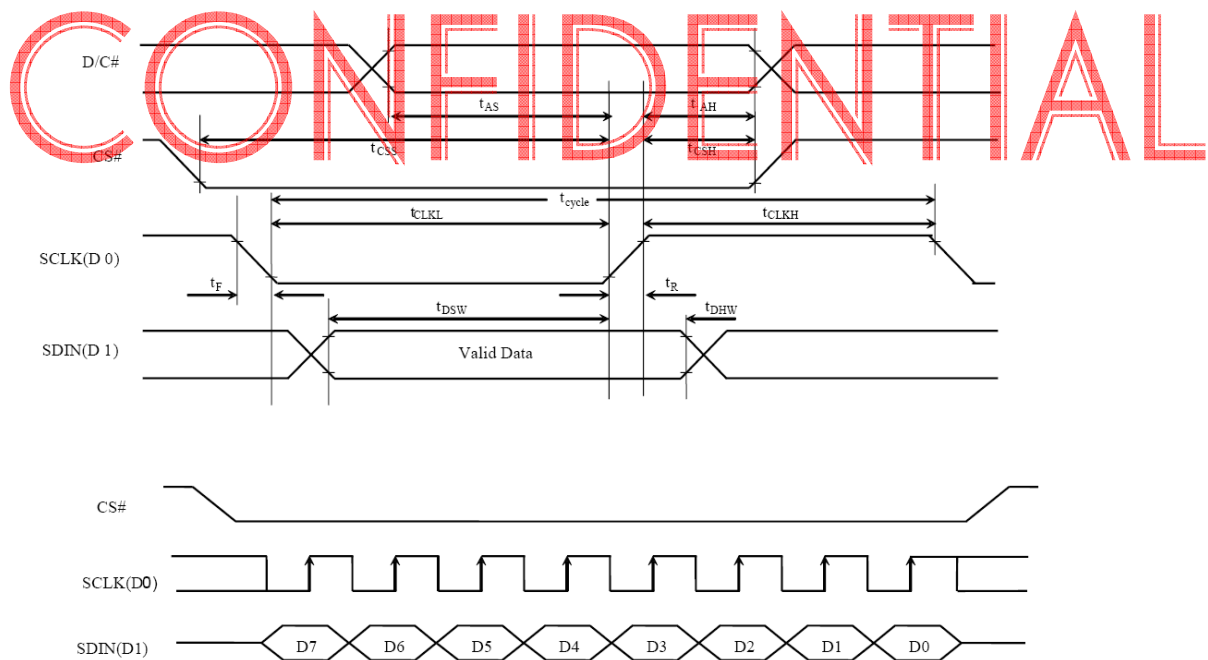
Note 12:  $V_{DD} = 2.8V, V_{DDB} = 3.5V, V_{CC}$  Generated by Internal DC/DC Circuit, 100% Display Area Turn on.

\* Software configuration follows Section 4.5.2 Initialization.

3.3 AC Characteristics

| Symbol      | Description            | Min | Max | Unit |
|-------------|------------------------|-----|-----|------|
| $t_{cycle}$ | Clock Cycle Time       | 100 | -   | ns   |
| $t_{AS}$    | Address Setup Time     | 15  | -   | ns   |
| $t_{AH}$    | Address Hold Time      | 15  | -   | ns   |
| $t_{CSS}$   | Chip Select Setup Time | 20  | -   | ns   |
| $t_{CSH}$   | Chip Select Hold Time  | 10  | -   | ns   |
| $t_{DSW}$   | Write Data Setup Time  | 15  | -   | ns   |
| $t_{DHW}$   | Write Data Hold Time   | 15  | -   | ns   |
| $t_{CLKL}$  | Clock Low Time         | 20  | -   | ns   |
| $t_{CLKH}$  | Clock High Time        | 20  | -   | ns   |
| $t_R$       | Rise Time              | -   | 40  | ns   |
| $t_F$       | Fall Time              | -   | 40  | ns   |

\* ( $V_{DD} - V_{SS} = 1.65V$  to  $3.3V$ ,  $T_a = 25^\circ C$ )



## 4. Functional Specification

### 4.1 Commands

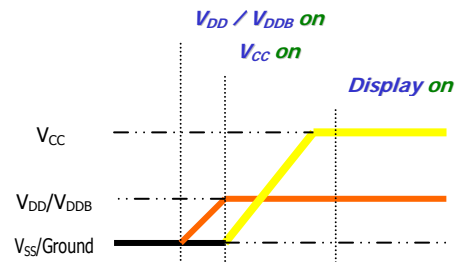
Refer to the Technical Manual for the SSD1306

### 4.2 Power down and Power up Sequence

To protect OEL panel and extend the panel life time, the driver IC power up/down routine should include a delay period between high voltage and low voltage power sources during turn on/off. It gives the OEL panel enough time to complete the action of charge and discharge before/after the operation.

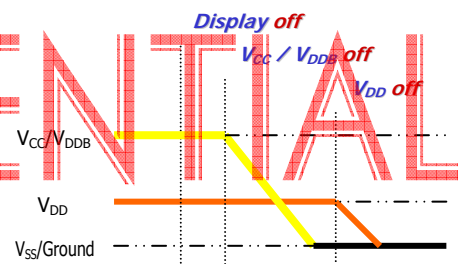
#### 4.2.1 Power up Sequence:

1. Power up  $V_{DD} / V_{DDB}$
2. Send Display off command
3. Initialization
4. Clear Screen
5. Power up  $V_{CC}$
6. Delay 100ms  
(When  $V_{CC}$  is stable)
7. Send Display on command



#### 4.2.2 Power down Sequence:

1. Send Display off command
2. Power down  $V_{CC} / V_{DDB}$
3. Delay 100ms  
(When  $V_{CC} / V_{DDB}$  is reach 0 and panel is completely discharges)
4. Power down  $V_{DD}$



#### Note 13:

- 1) Since an ESD protection circuit is connected between  $V_{DD}$  and  $V_{CC}$  inside the driver IC,  $V_{CC}$  becomes lower than  $V_{DD}$  whenever  $V_{DD}$  is ON and  $V_{CC}$  is OFF.
- 2)  $V_{CC} / V_{DDB}$  should be kept float (disable) when it is OFF.
- 3) Power Pins ( $V_{DD}$ ,  $V_{CC}$ ,  $V_{DDB}$ ) can never be pulled to ground under any circumstance.
- 4)  $V_{DD}$  should not be power down before  $V_{CC} / V_{DDB}$  power down.

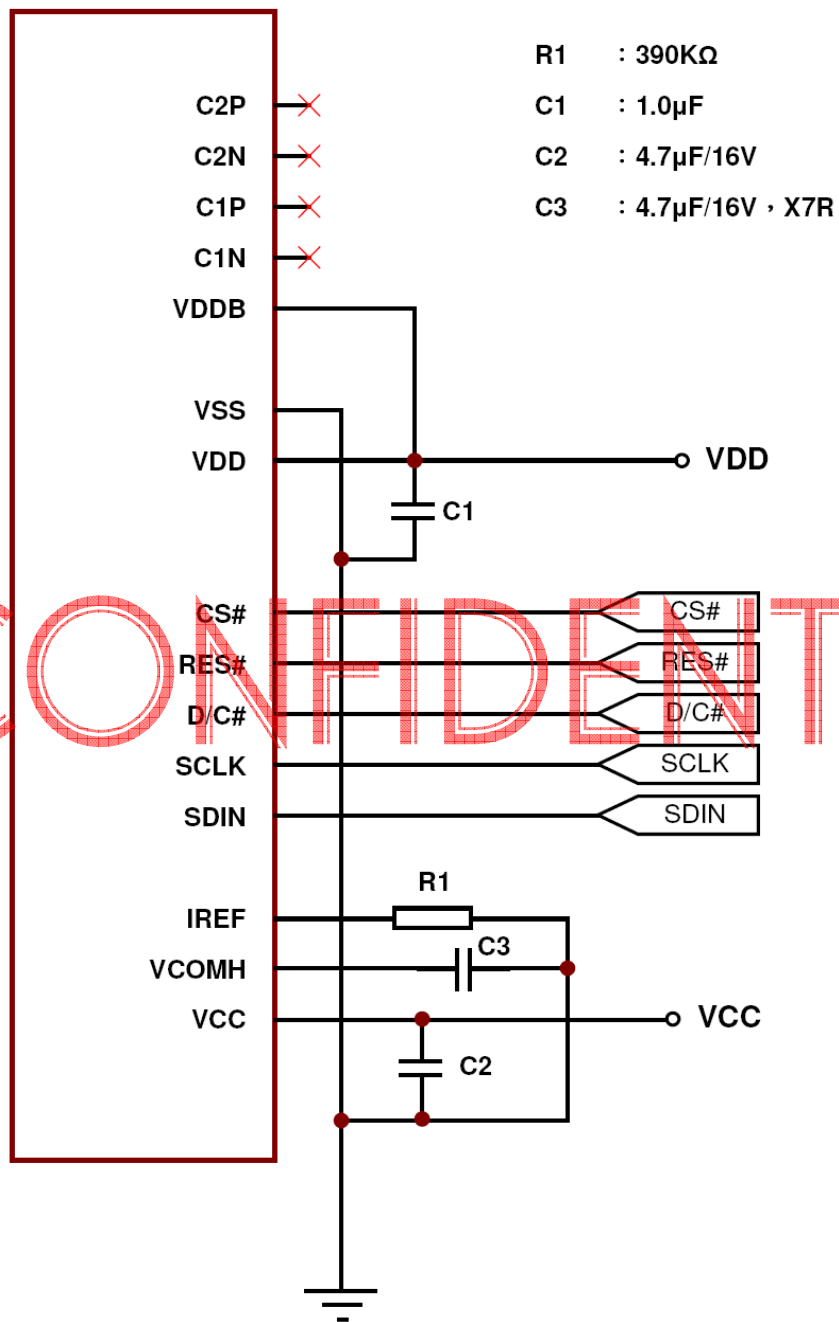
### 4.3 Reset Circuit

When RES# input is low, the chip is initialized with the following status:

1. Display is OFF
2. 128×64 Display Mode
3. Normal segment and display data column and row address mapping (SEG0 mapped to column address 00h and COM0 mapped to row address 00h)
4. Shift register data clear in serial interface
5. Display start line is set at display RAM address 0
6. Column address counter is set at 0
7. Normal scan direction of the COM outputs
8. Contrast control register is set at 7Fh
9. Normal display mode (Equivalent to A4h command)

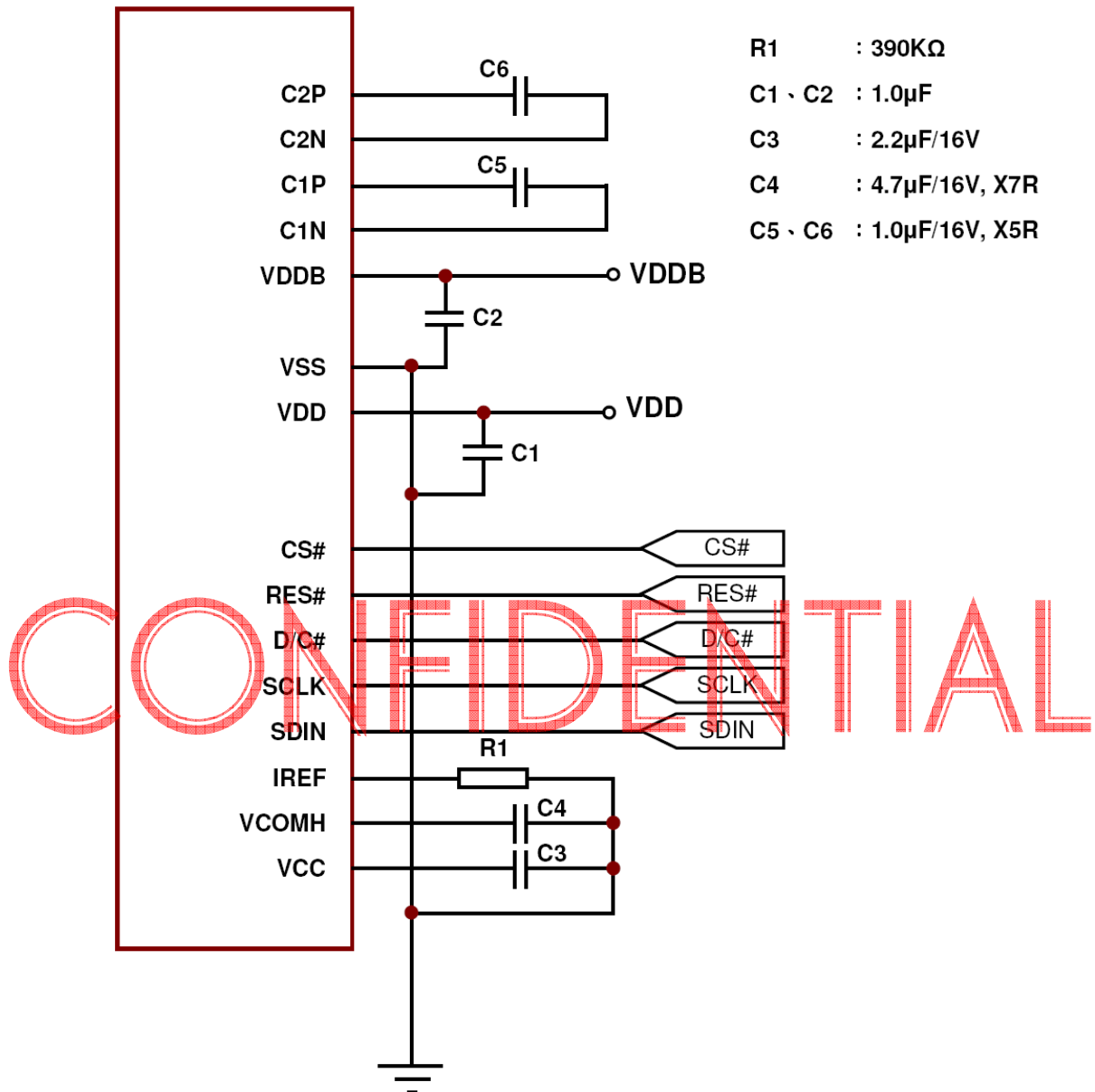
4.4 Application Circuit

4.4.1 V<sub>CC</sub> Supplied Externally



CONFIDENTIAL

4.4.2 V<sub>CC</sub> Generated by Internal DC/DC Circuit

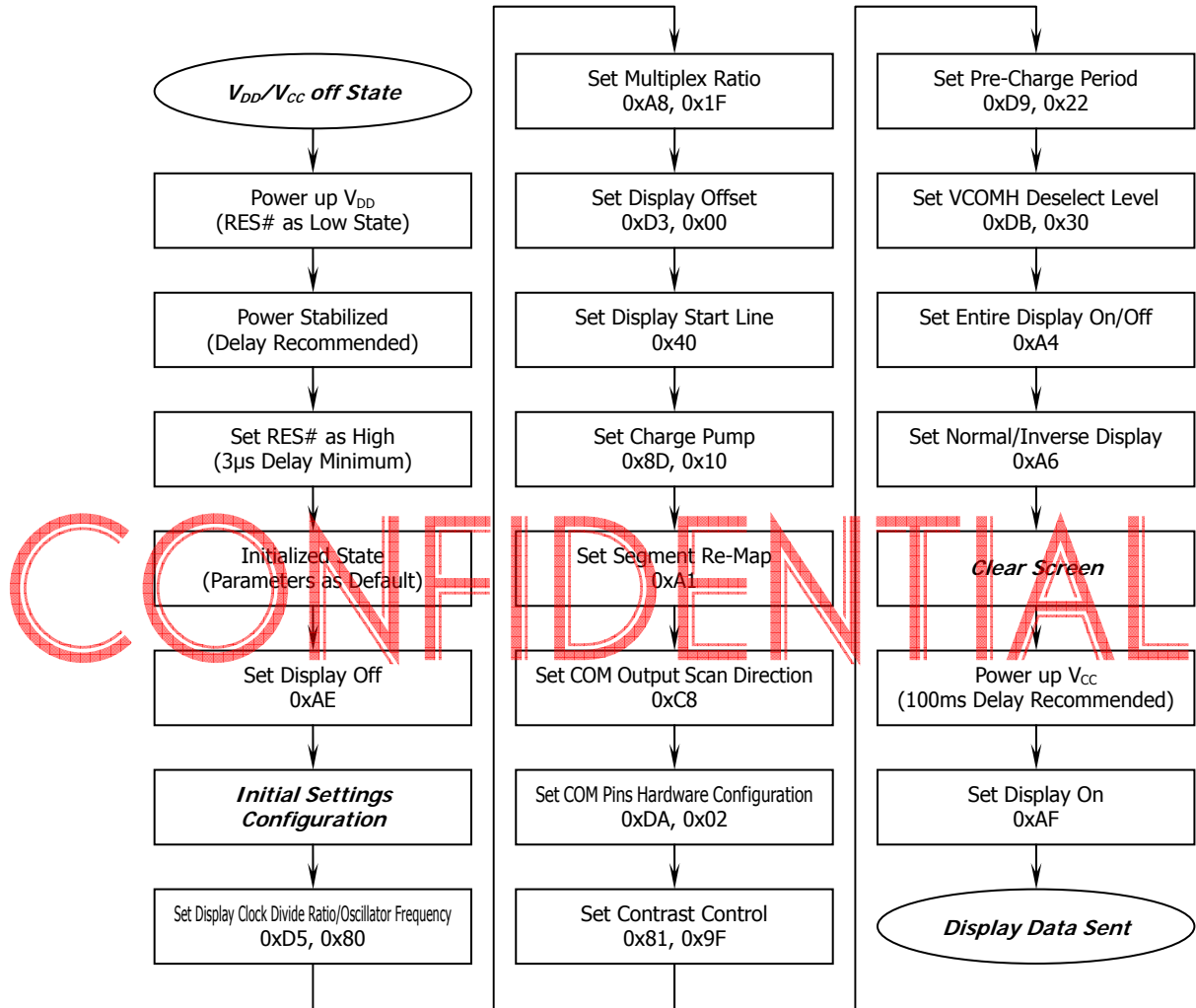


### 4.5 Actual Application Example

Command usage and explanation of an actual example

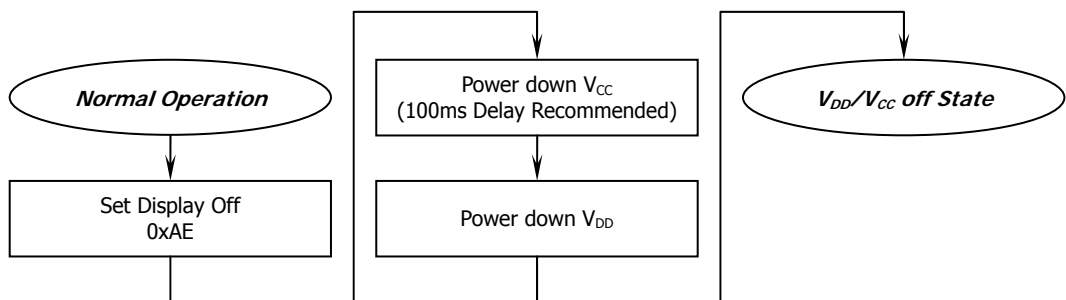
#### 4.5.1 V<sub>CC</sub> Supplied Externally

<Power up Sequence>

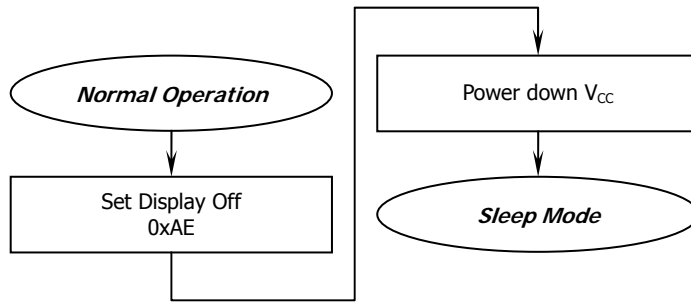


If the noise is accidentally occurred at the displaying window during the operation, please reset the display in order to recover the display function.

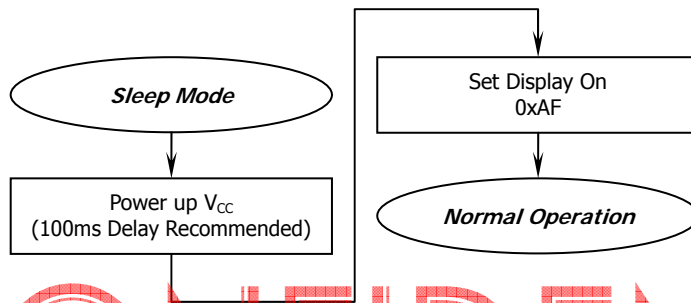
<Power down Sequence>



<Entering Sleep Mode>



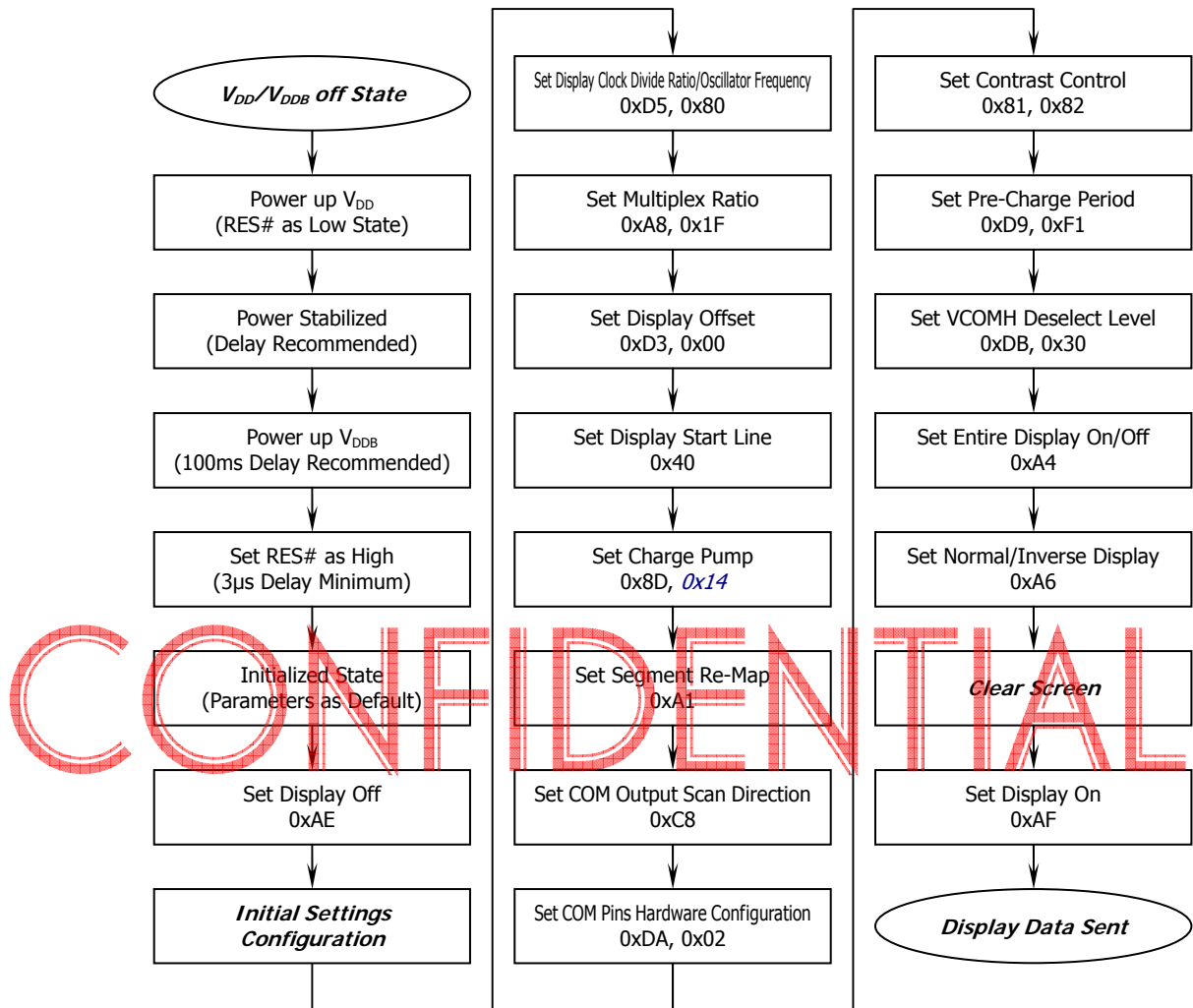
<Exiting Sleep Mode>



CONFIDENTIAL

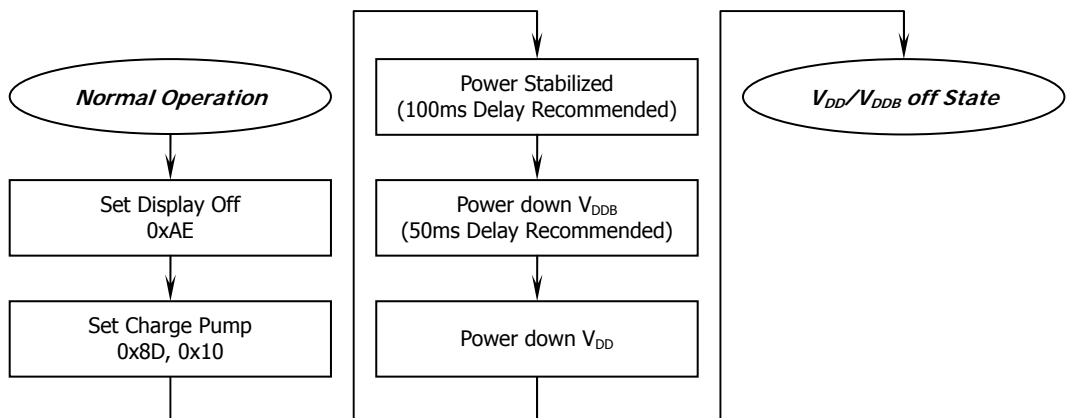
4.5.2 V<sub>CC</sub> Generated by Internal DC/DC Circuit

<Power up Sequence>



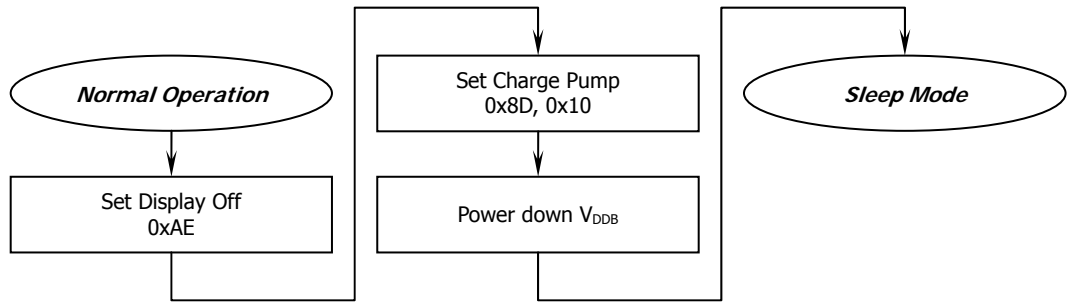
If the noise is accidentally occurred at the displaying window during the operation, please reset the display in order to recover the display function.

<Power down Sequence>

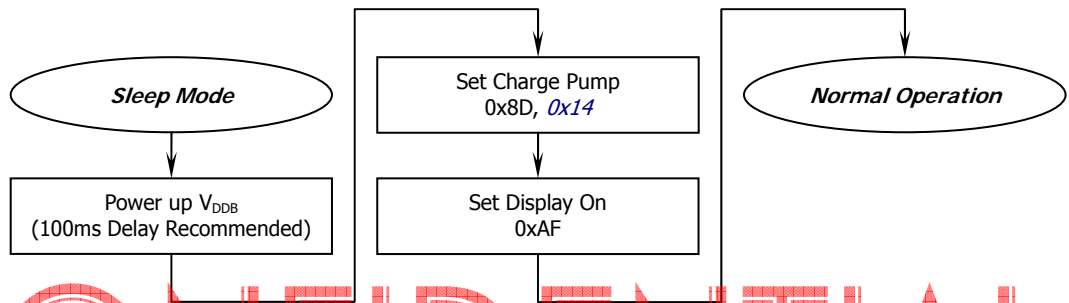




<Entering Sleep Mode>



<Exiting Sleep Mode>



CONFIDENTIAL

**5. Reliability**

**5.1 Contents of Reliability Tests**

| Item                                | Conditions                               | Criteria                        |
|-------------------------------------|--|---------------------------------|
| High Temperature Operation          | 70°C, 240 hrs                            | The operational functions work. |
| Low Temperature Operation           | -40°C, 240 hrs                           |                                 |
| High Temperature Storage            | 85°C, 240 hrs                            |                                 |
| Low Temperature Storage             | -40°C, 240 hrs                           |                                 |
| High Temperature/Humidity Operation | 60°C, 90% RH, 120 hrs                    |                                 |
| Thermal Shock                       | -40°C ↔ 85°C, 24 cycles<br>60 mins dwell |                                 |

- \* The samples used for the above tests do not include polarizer.
- \* No moisture condensation is observed during tests.

**5.2 Failure Check Standard**

After the completion of the described reliability test, the samples were left at room temperature for 2 hrs prior to conducting the failure test at 23±5°C; 55±15% RH.

CONFIDENTIAL

6. Outgoing Quality Control Specifications

6.1 Environment Required

Customer's test & measurement are required to be conducted under the following conditions:

- Temperature:  $23 \pm 5^{\circ}\text{C}$
- Humidity:  $55 \pm 15\% \text{ RH}$
- Fluorescent Lamp: 30W
- Distance between the Panel & Lamp:  $\geq 50\text{cm}$
- Distance between the Panel & Eyes of the Inspector:  $\geq 30\text{cm}$
- Finger glove (or finger cover) must be worn by the inspector.
- Inspection table or jig must be anti-electrostatic.

6.2 Sampling Plan

Level II, Normal Inspection, Single Sampling, MIL-STD-105E

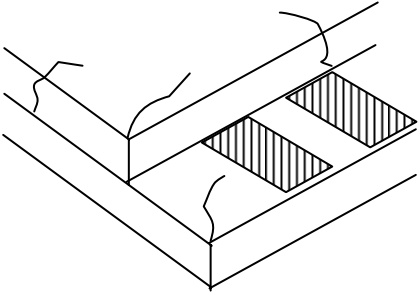

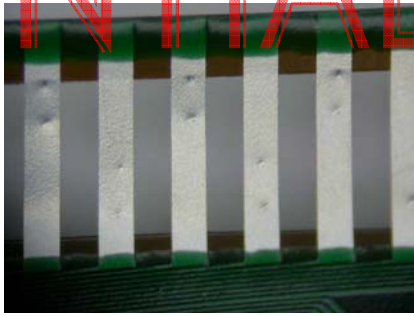
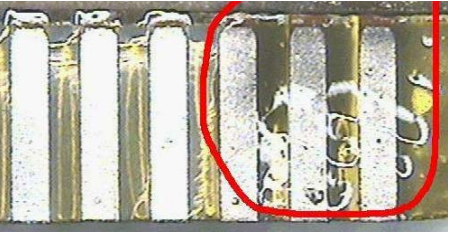
6.3 Criteria & Acceptable Quality Level

| Partition | AQL  | Definition                              |
|-----------|------|---|
| Major     | 0.65 | Defects in Pattern Check (Display On)   |
| Minor     | 1.0  | Defects in Cosmetic Check (Display Off) |

6.3.1 Cosmetic Check (Display Off) in Non-Active Area

| Check Item             | Classification | Criteria  |
|------------------------|----------------|---|
| Panel General Chipping | Minor          | <p><math>X &gt; 6 \text{ mm}</math> (Along with Edge)<br/> <math>Y &gt; 1 \text{ mm}</math> (Perpendicular to edge)</p> |

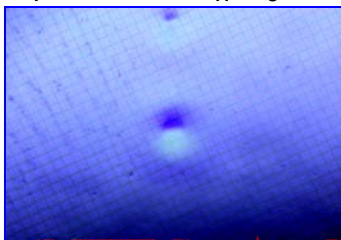
6.3.1 Cosmetic Check (Display Off) in Non-Active Area (Continued)

| Check Item  | Classification | Criteria  |
|---|----------------|---|
| Panel Crack   | Minor          | Any crack is not allowable.<br> |
| Copper Exposed (Even Pin or Film)                             | Minor          | Not Allowable by Naked Eye Inspection   |
| Film or Trace Damage  | Minor          |                                |
| Terminal Lead Prober Mark                                     | Acceptable     |                               |
| Glue or Contamination on Pin (Couldn't Be Removed by Alcohol) | Minor          |                               |
| Ink Marking on Back Side of panel (Exclude on Film)           | Acceptable     | Ignore for Any  |

CONFIDENTIAL

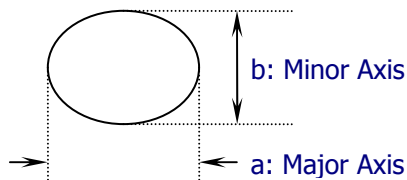
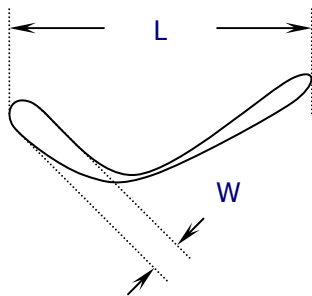
6.3.2 Cosmetic Check (Display Off) in Active Area

It is recommended to execute in clear room environment (class 10k) if actual in necessary.

| Check Item  | Classification | Criteria   |
|---|----------------|--|
| Any Dirt & Scratch on Polarizer's Protective Film             | Acceptable     | Ignore for not Affect the Polarizer  |
| Scratches, Fiber, Line-Shape Defect (On Polarizer)            | Minor          | $W \leq 0.1$ Ignore<br>$W > 0.1, L \leq 2$ $n \leq 1$<br>$L > 2$ $n = 0$   |
| Dirt, Black Spot, Foreign Material, (On Polarizer)            | Minor          | $\Phi \leq 0.1$ Ignore<br>$0.1 < \Phi \leq 0.25$ $n \leq 1$<br>$0.25 < \Phi$ $n = 0$   |
| Dent, Bubbles, White spot (Any Transparent Spot on Polarizer) | Minor          | $\Phi \leq 0.5$<br>→ Ignore if no Influence on Display<br>$0.5 < \Phi$ $n = 0$  |
| Fingerprint, Flow Mark (On Polarizer)                         | Minor          | Not Allowable  |

\* Protective film should not be tear off when cosmetic check.

\*\* Definition of W & L &  $\Phi$  (Unit: mm):  $\Phi = (a + b) / 2$

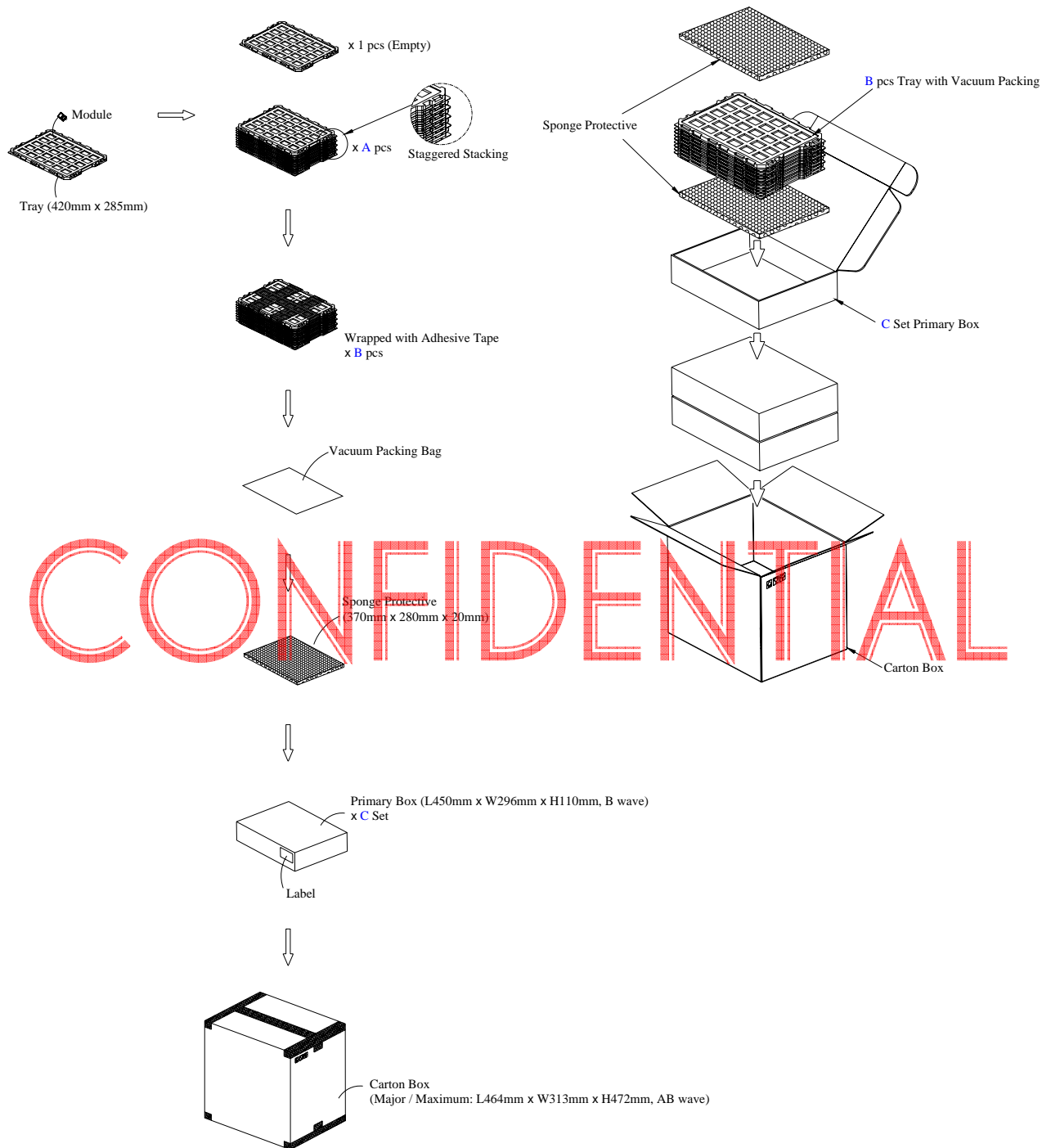


6.3.3 Pattern Check (Display On) in Active Area

| Check Item    | Classification | Criteria |
|---------------|----------------|----------|
| No Display    | Major          |          |
| Missing Line  | Major          |          |
| Pixel Short   | Major          |          |
| Darker Pixel  | Major          |          |
| Wrong Display | Major          |          |
| Un-uniform    | Major          |          |

CONFIDENTIAL

7. Package Specifications



CONFIDENTIAL

| Item              | Quantity   |
|-------------------|--|
| Module            | <b>1440</b> per Primary Box                        |
| Holding Trays (A) | <b>20</b> per Primary Box                          |
| Total Trays (B)   | <b>21</b> per Primary Box (Including 1 Empty Tray) |
| Primary Box (C)   | <b>1~4</b> per Carton (4 as Major / Maximum)       |



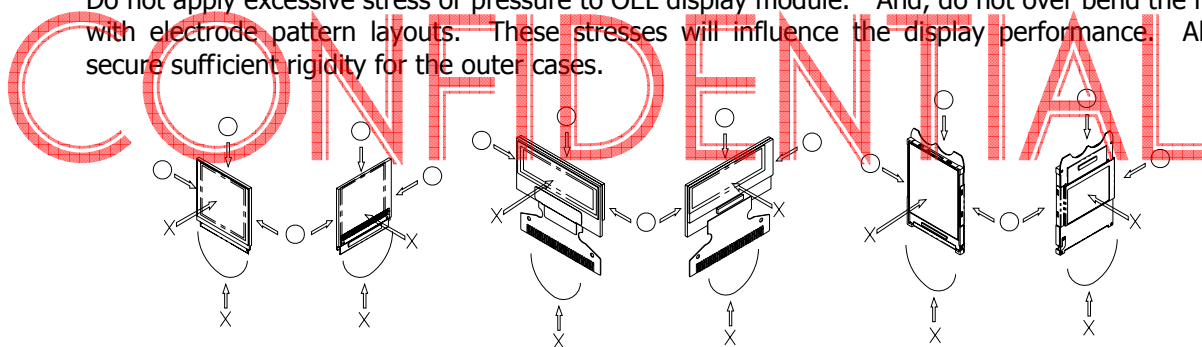
## 8. Precautions When Using These OEL Display Modules

### 8.1 Handling Precautions

- 1) Since the display panel is being made of glass, do not apply mechanical impacts such as dropping from a high position.
- 2) If the display panel is broken by some accident and the internal organic substance leaks out, be careful not to inhale nor lick the organic substance.
- 3) If pressure is applied to the display surface or its neighborhood of the OEL display module, the cell structure may be damaged and be careful not to apply pressure to these sections.
- 4) The polarizer covering the surface of the OEL display module is soft and easily scratched. Please be careful when handling the OEL display module.
- 5) When the surface of the polarizer of the OEL display module has soil, clean the surface. It takes advantage of by using following adhesion tape.
  - \* Scotch Mending Tape No. 810 or an equivalent

Never try to breathe upon the soiled surface nor wipe the surface using cloth containing solvent such as ethyl alcohol, since the surface of the polarizer will become cloudy.  
Also, pay attention that the following liquid and solvent may spoil the polarizer:

  - \* Water
  - \* Ketone
  - \* Aromatic Solvents
- 6) Hold OEL display module very carefully when placing OEL display module into the system housing. Do not apply excessive stress or pressure to OEL display module. And, do not over bend the film with electrode pattern layouts. These stresses will influence the display performance. Also, secure sufficient rigidity for the outer cases.



- 7) Do not apply stress to the driver IC and the surrounding molded sections.
- 8) Do not disassemble nor modify the OEL display module.
- 9) Do not apply input signals while the logic power is off.
- 10) Pay sufficient attention to the working environments when handling OEL display modules to prevent occurrence of element breakage accidents by static electricity.
  - \* Be sure to make human body grounding when handling OEL display modules.
  - \* Be sure to ground tools to use or assembly such as soldering irons.
  - \* To suppress generation of static electricity, avoid carrying out assembly work under dry environments.
  - \* Protective film is being applied to the surface of the display panel of the OEL display module. Be careful since static electricity may be generated when exfoliating the protective film.
- 11) Protection film is being applied to the surface of the display panel and removes the protection film before assembling it. At this time, if the OEL display module has been stored for a long period of time, residue adhesive material of the protection film may remain on the surface of the display panel after removed of the film. In such case, remove the residue material by the method introduced in the above Section 5).
- 12) If electric current is applied when the OEL display module is being dewed or when it is placed under high humidity environments, the electrodes may be corroded and be careful to avoid the above.

### 8.2 Storage Precautions

- 1) When storing OEL display modules, put them in static electricity preventive bags avoiding exposure to direct sun light nor to lights of fluorescent lamps. and, also, avoiding high temperature and high



humidity environment or low temperature (less than 0°C) environments. (We recommend you to store these modules in the packaged state when they were shipped from WiseChip Semiconductor Inc.)

At that time, be careful not to let water drops adhere to the packages or bags nor let dewing occur with them.

- 2) If electric current is applied when water drops are adhering to the surface of the OEL display module, when the OEL display module is being dewed or when it is placed under high humidity environments, the electrodes may be corroded and be careful about the above.

### 8.3 Designing Precautions

- 1) The absolute maximum ratings are the ratings which cannot be exceeded for OEL display module, and if these values are exceeded, panel damage may be happen.
- 2) To prevent occurrence of malfunctioning by noise, pay attention to satisfy the  $V_{IL}$  and  $V_{IH}$  specifications and, at the same time, to make the signal line cable as short as possible.
- 3) We recommend you to install excess current preventive unit (fuses, etc.) to the power circuit ( $V_{DD}$ ). (Recommend value: 0.5A)
- 4) Pay sufficient attention to avoid occurrence of mutual noise interference with the neighboring devices.
- 5) As for EMI, take necessary measures on the equipment side basically.
- 6) When fastening the OEL display module, fasten the external plastic housing section.
- 7) If power supply to the OEL display module is forcibly shut down by such errors as taking out the main battery while the OEL display panel is in operation, we cannot guarantee the quality of this OEL display module.
- 8) The electric potential to be connected to the rear face of the IC chip should be as follows: SSD1306
  - \* Connection (contact) to any other potential than the above may lead to rupture of the IC.

### 8.4 Precautions when disposing of the OEL display modules

- 1) Request the qualified companies to handle industrial wastes when disposing of the OEL display modules. Or, when burning them, be sure to observe the environmental and hygienic laws and regulations.

### 8.5 Other Precautions

- 1) When an OEL display module is operated for a long of time with fixed pattern may remain as an after image or slight contrast deviation may occur. Nonetheless, if the operation is interrupted and left unused for a while, normal state can be restored. Also, there will be no problem in the reliability of the module.
- 2) To protect OEL display modules from performance drops by static electricity rapture, etc., do not touch the following sections whenever possible while handling the OEL display modules.
  - \* Pins and electrodes
  - \* Pattern layouts such as the FPC
- 3) With this OEL display module, the OEL driver is being exposed. Generally speaking, semiconductor elements change their characteristics when light is radiated according to the principle of the solar battery. Consequently, if this OEL driver is exposed to light, malfunctioning may occur.
  - \* Design the product and installation method so that the OEL driver may be shielded from light in actual usage.
  - \* Design the product and installation method so that the OEL driver may be shielded from light during the inspection processes.
- 4) Although this OEL display module stores the operation state data by the commands and the indication data, when excessive external noise, etc. enters into the module, the internal status may be changed. It therefore is necessary to take appropriate measures to suppress noise generation or to protect from influences of noise on the system design.
- 5) We recommend you to construct its software to make periodical refreshment of the operation



statuses (re-setting of the commands and re-transference of the display data) to cope with catastrophic noise.

**CONFIDENTIAL**

***Warranty:***

The warranty period shall last twelve (12) months from the date of delivery. Buyer shall be completed to assemble all the processes within the effective twelve (12) months. WiseChip Semiconductor Inc. shall be liable for replacing any products which contain defective material or process which do not conform to the product specification, applicable drawings and specifications during the warranty period. All products must be preserved, handled and appearance to permit efficient handling during warranty period. The warranty coverage would be exclusive while the returned goods are out of the terms above.

***Notice:***

No part of this material may be reproduced or duplicated in any form or by any means without the written permission of WiseChip Semiconductor Inc. WiseChip Semiconductor Inc. reserves the right to make changes to this material without notice. WiseChip Semiconductor Inc. does not assume any liability of any kind arising out of any inaccuracies contained in this material or due to its application or use in any product or circuit and, further, there is no representation that this material is applicable to products requiring high level reliability, such as, medical products. Moreover, no license to any intellectual property rights is granted by implication or otherwise, and there is no representation or warranty that anything made in accordance with this material will be free from any patent or copyright infringement of a third party. This material or portions thereof may contain technology or the subject relating to strategic products under the control of Foreign Exchange and Foreign Trade Law of Taiwan and may require an export license from the Ministry of International Trade and Industry or other approval from another government agency.

© WiseChip Semiconductor Inc. 2015, All rights reserved.

All other product names mentioned herein are trademarks and/or registered trademarks of their respective companies.