

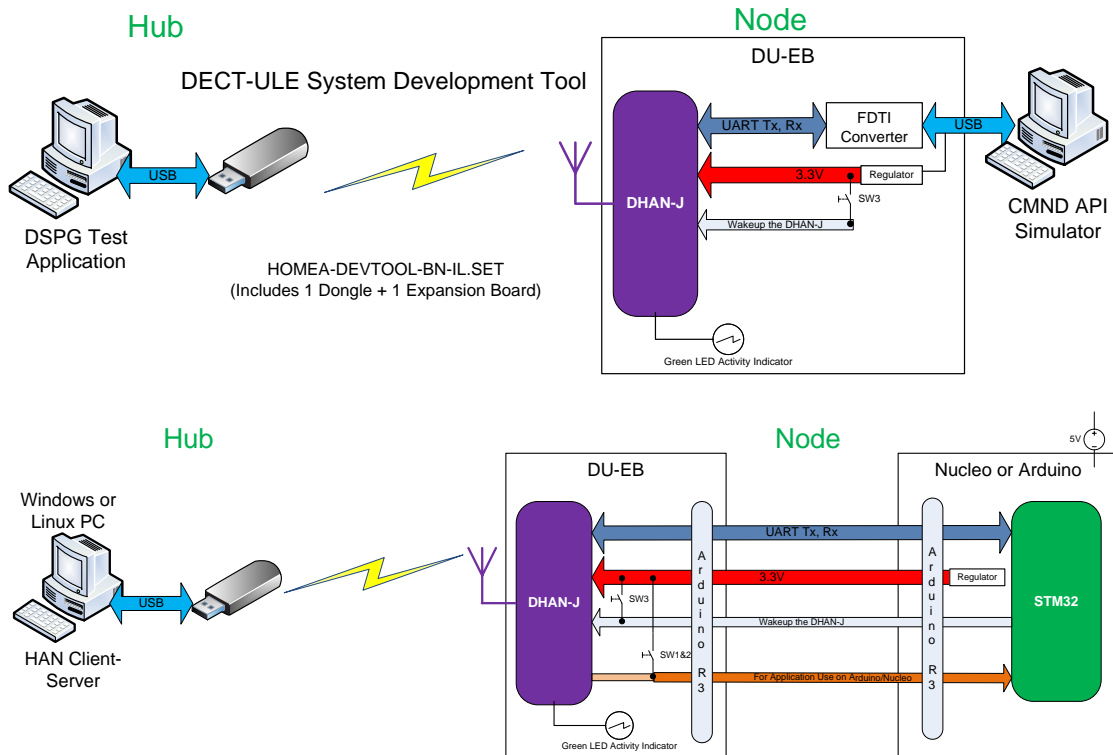
# DECT-ULE System Development Tool Brief

## Description

The DECT-ULE System Development Tool provides wireless IoT system designers with the tools to access DECT-ULE connectivity. The USB Dongle is the DECT-ULE Hub which incorporates a complete DECT-ULE firmware stack. It plugs in to a Windows or Linux PC where the Application SW resides and interacts with Dongle FW via an intuitive protocol. The DHAN-J Expansion Board is the DECT-ULE Node (or Device). It conforms the Arduino R3 Connector scheme making it compatible with a number of popular 3.3V MCU development platforms (eg, STM32 Nucleo, Arduino M0, others). The Expansion Board presents an intuitive, DSP Group proprietary API to the Host Processor where the application runs. With this HW along with downloadable drivers, libraries and sample code, the developer can have a proof-of-concept system up and running in no time!



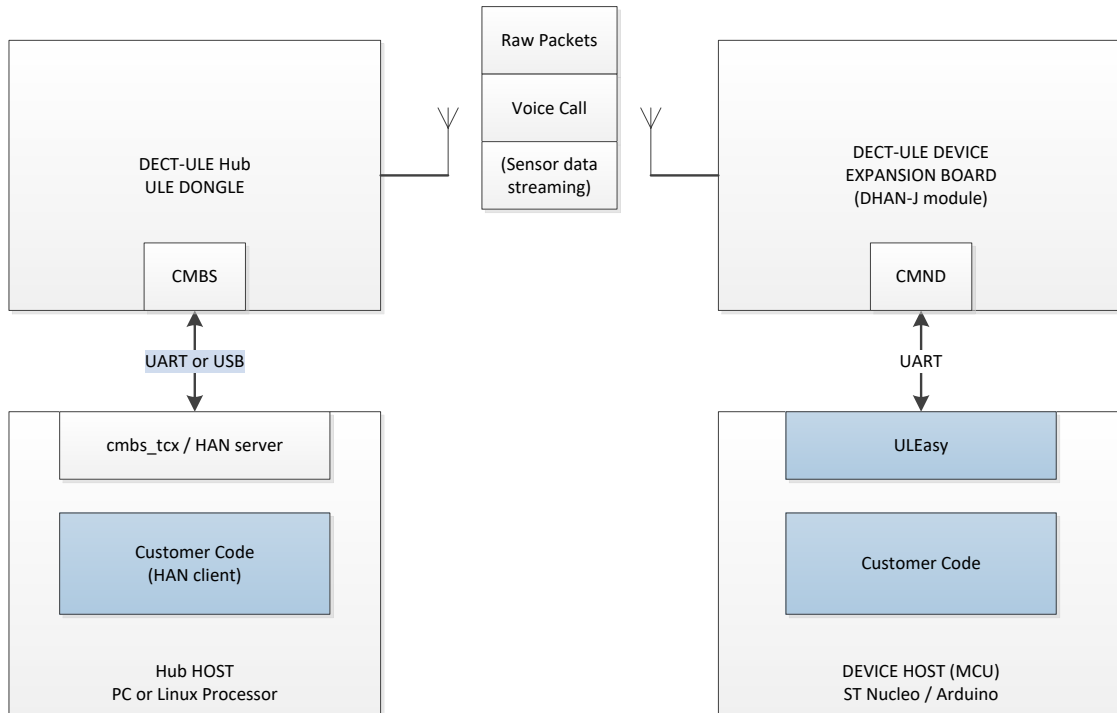
## System Diagrams



## Features

- ✓ Starter Kit for Application SW Development on both Hub and Device sides of the link
- ✓ Dongle is the DECT-ULE Hub. DU-EB is the ULE Dual-Mode Device based on the DHAN-J Module
- ✓ The Dongle is plugged into a PC running the DSPG Test Application GUI (Windows only) or the using the HAN Client-Server command line tool
- ✓ The DU-EB can be operated in one of two modes (as depicted above)
  - Accompanied by the CMND Simulator running on a PC (Windows)
  - Plugged into an Arduino R3 type development platform (like ST Nucleo or Arduino)
- ✓ A baseline SW reference package called ULEasy is available for the STM32L4 processor

## SW Context



## Related Documents

See <https://www.dspg.com/developers/> for the following related documents:

- ULEasy “Getting Started” tutorial
- DECT-ULE Expansion Board Brief
- USB ULE Dongle Brief

## System Development Tool Part Number

HOMEA-DEVTOOL-BN-IL.SET

This document is provided by DSP Group, Inc. and/or one or more of its subsidiaries (“DSP Group”). All information and data contained in this document is for informational purposes only, without any commitment on the part of DSP Group. DSP Group shall not be liable, in any event, for any claims for damages or any other remedy in any jurisdiction whatsoever, and shall not assume responsibility for patent infringements or other rights to third parties arising out of or in connection with this document. Further, DSP Group reserves the right to revise this publication and to make changes to its content, at any time, without obligation to notify any person or entity of such revision changes. These materials are copyrighted and any unauthorized use of these materials may violate copyright, trademark, and other laws. No part of this publication may be reproduced, photocopied, stored on a retrieval system, or transmitted without the express written consent of DSP Group. Any new issue of this document invalidates previous issues.

DSP Group reserves the right to revise this publication and to make changes to its content, at any time, without obligation to notify any person or entity of such revision changes.

© 2018 DSP Group. All rights reserved.

DSP Group Headquarters: 161 S San Antonio Rd, Suite 10, Los Altos CA 94022, Tel: (408)986-4300, Fax: (408)986-4323